

# Colamark

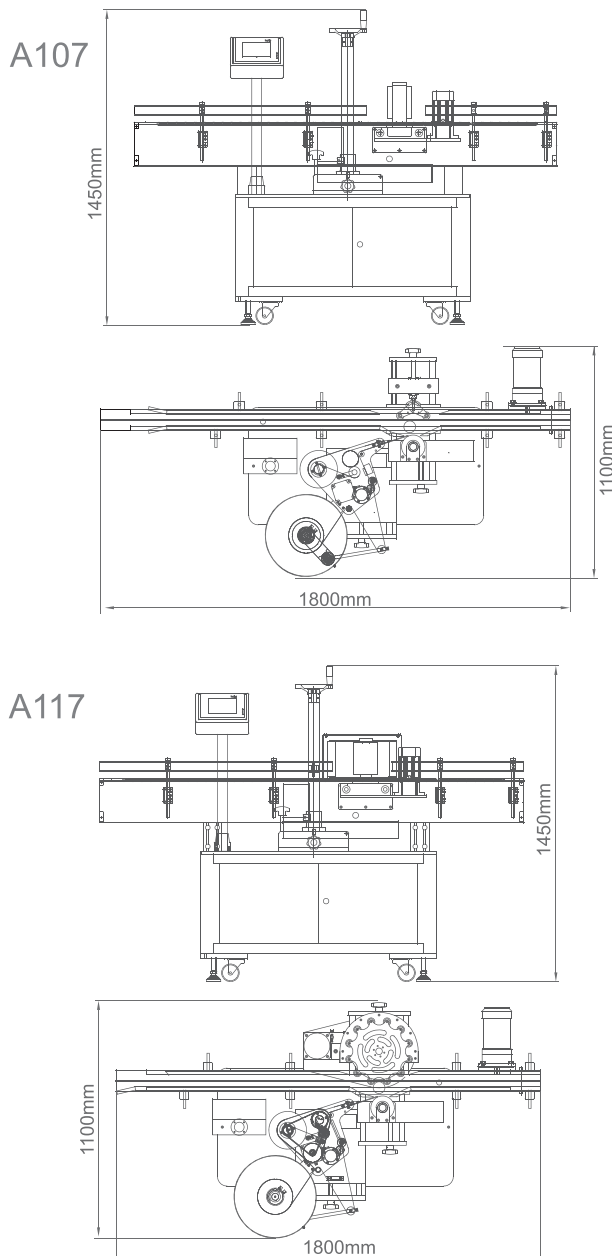


## Colamark Orientation Wrap-around Labeling Machine for Round Bottle

The A107/A117 rotate the bottle for wrap around labeling by gripping at 3 points on the bottle body to ensure precise parallel alignment of the label and at the same time achieve label orientation and/or multiple labels on one bottle. It is widely used in the personal care products, food & beverage, and pharmaceutical industry.

The A107 uses a pneumatic fork to hold the bottle for rotation and is particularly suitable for large diameter and heavier bottles.

The A117 uses an indexing turn-table to move and hold the bottles for rotation and is particularly suitable when fast process capacity is important.



## Features

- Special registration sensor to catch the orientation feature of the bottle precisely.
- Holding the bottle for rotation at 3 points to ensure alignment accuracy.
- Two holding mechanism, pneumatic fork and indexing turn-table, to meet different bottle characteristics and process requirements.
- Single label or dual label labeling
- Optional inspection and rejection functions for missing label, wrong label, wrong position, and missing or illegible date/batch codes etc.
- Various optional coding devices for synchronized coding: hot stamping, thermal transfer, inkjet, thermal inkjet etc.
- Integrated management of peripheral devices. Operation parameters, alarm signals of peripherals can be shown on the system control panel.

## Machine Model

## A107 / A117

Diameter	Φ28~100mm (For A117, the indexing turn-table is a change part for different range of diameters)
Label length	10~200mm
Capacity	20~120 bottles/min. (Subject to sizes of materials)
Precision	± 0.5mm
Electricity & power	220VAC± 5% 50Hz 1.3kW
Machine dimensions	(L)1,800×(W)1,100×(H)1,450 mm

( Custom engineered solutions are available to cater for customer's special needs. )

由于产品升级和设计上的不断更新, 本公司保留对本单张的产品规格作出修改的权利, 而无需在事前另行公布

**达尔嘉 ( 广州 ) 标识设备有限公司**

广州 经济技术开发区 锦秀路19号

电话: (020) 8221 6718

传真: (020) 8221 5799

技术热线: 400 810 9710

电邮: info@colamark.cn

网址: www.colamark.cn

邮编: 510730

**Colamark Technologies Limited**

820 Topsail Plaza, 11 On Sum Street, Shatin, Hong Kong

香港 • 广州 • 昆明 • 成都 • 武汉 • 重庆 • 西安 • 上海 • 青岛 • 北京 • 沈阳 • 哈尔滨